

Handling System for Rack Type Cord Conveyor for Trays, Sorting Low Edge - 1000mm

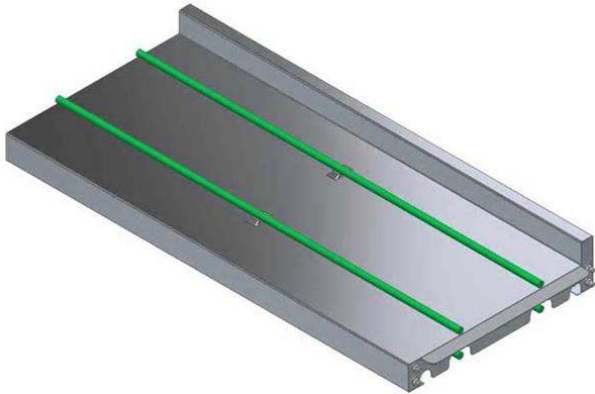
ITEM # _____

MODEL # _____

NAME # _____

SIS # _____

AIA # _____


865125 (HSCCTL10)

 Cord conveyor for trays,
 sorting (low edge), 1000 mm

Short Form Specification

Item No. _____

Constructed in 304 AISI stainless steel without legs. Twin cords in 15mm reinforced polyurethane. The low edge allows connection to sorting tops. Designed for trays up to 375x530mm.

Main Features

- No legs included.
- Range allows a large number of conveyor combinations.
- Wall mounted on request.
- Available as optional accessory a remote easy-to reach emergency-stop buttons fitted where required.
- Maximum load 5 kg/m uniformly spread.
- For distance longer than 3m: required additional pair of legs.
- The table is suitable for both rack type and hood type dishwasher. Rack type dishwasher can be connected directly to the table, while there are optional accessories to adapt the table with hood type dishwasher.

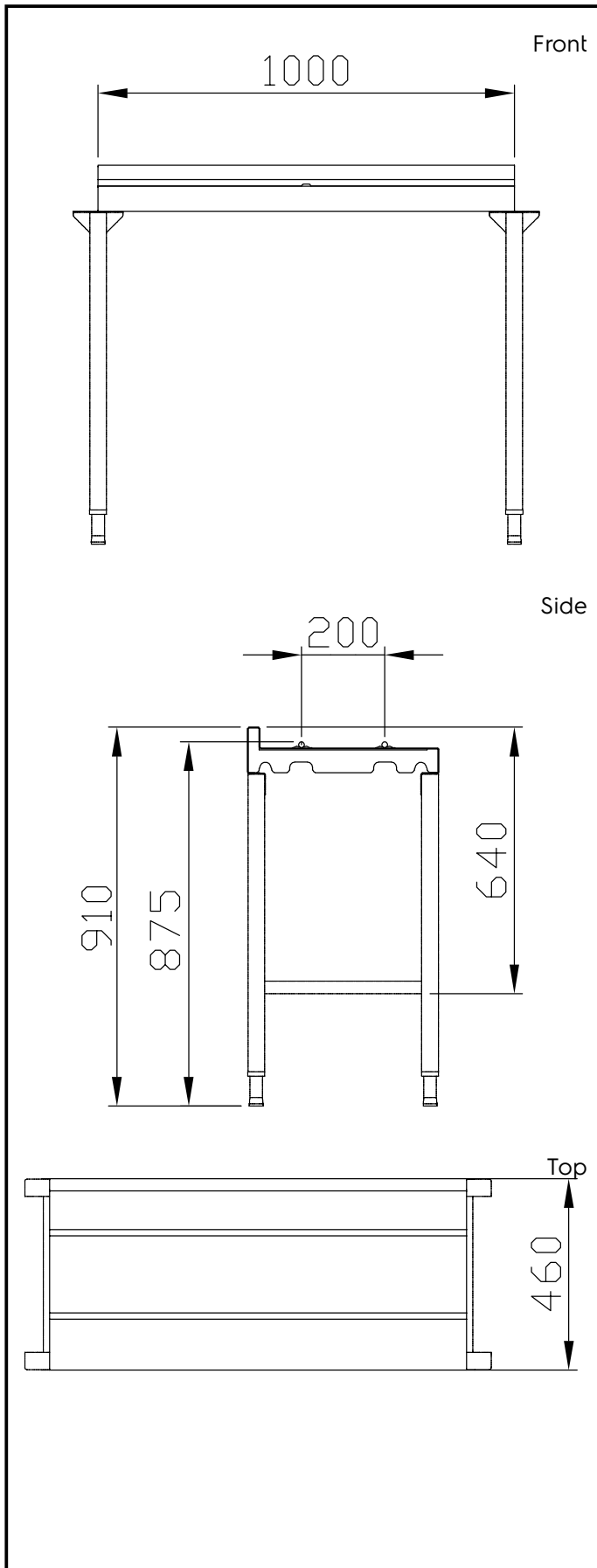
Construction

- For trays up to 375x530mm.
- Conveyors available with low edge on one side, to aid unloading when used as sorting unit.
- All surfaces smooth with polished finish.
- S/S plain conveyor base for easy cleaning.
- Constructed in AISI 304 1,5mm stainless steel.
- 15mm reinforced polyurethane cord, for smooth and easy running.

Optional Accessories

- Set of legs for cord conveyor for trays PNC 865138
- Empty tray indication device PNC 865140
- Emergency switch for cord conveyor PNC 865141
- Start/stop switch for cord conveyor PNC 865142
- Kit for cord welding PNC 865143
- Waste trough, 2000x290x865mm PNC 865144
- Waste trough, 3000x290x865mm PNC 865145
- Wash system for waste troughs 2000/3000mm PNC 865146
- Sorting top, 600mm PNC 865149
- Sorting top on legs with hole and rubber ring, 600mm PNC 865150
- Sorting top on legs, 600mm PNC 865151

APPROVAL: _____



Key Information:

External dimensions, Width:	865125 (HSCCTL10)	1000 mm
External dimensions, Depth:		460 mm
External dimensions, Height:		110 mm
Net weight:		13 kg
Height adjustment:		50/50 mm
Basin material:		Stainless Steel AISI 304 - EN 1.4301